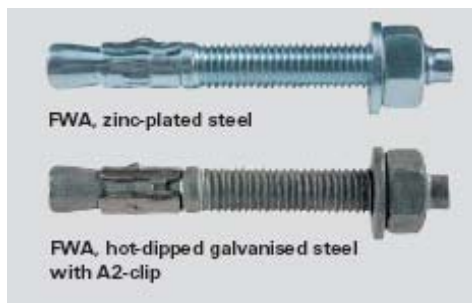


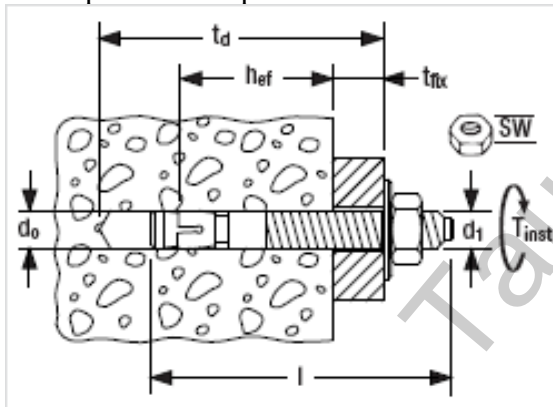
**ТЕХНИЧЕСКА ХАРАКТЕРИСТИКА**

**АНКЕР – FWA – сегментен, с удължена резба, с гайка, поцинкован, за леки закрепвания**



**Характеристики:** Подходящи за използване за : не ронлив бетон  $\geq C20/25$ , натурален камък с плътна структура  
В две версии – поцинкована стомана и галванизирана стомана: поцинкованата версия е за употреба в закрити, вътрешни пространства,  
а галванизираната за временно външно използване.

Размери – виж стр. 2



Type	Art. No.	Thread	Nominal drill-Ø	Max. fixing thickness	Min. fixing thickness	Min. anchorage depth	Max. anchorage depth	Min. drill depth at push-through mode	Total length	Width across flat	Installation torque	Qty. per box
		d <sub>1</sub> M [mm]	d <sub>0</sub> [mm]	t <sub>fix</sub> ≤ [mm]	t <sub>fix</sub> ≤ [mm]	h <sub>ef</sub> ≥ [mm]	h <sub>ef</sub> ≥ [mm]	t <sub>d</sub> ≥ [mm]	l [mm]	SW [mm]	T <sub>inst</sub> [Nm]	[pcs.]
<b>Zinc-plated steel</b>												
FWA 6 x 40	<b>45536</b>	6	6	3	-	25	-	40	40	10	7.5	100
FWA 6 x 55	<b>45582</b>	6	6	15	5	25	35	55	55	10	7.5	100
FWA 6 x 70	<b>45598</b>	6	6	30	20	25	35	70	70	10	7.5	100
FWA 6 x 120	<b>502920</b>	6	6	80	60	25	35	120	120	10	7.5	50
FWA 8 x 50	<b>45644</b>	8	8	5	-	25	-	50	50	13	15	50
FWA 8 x 60	<b>502893</b>	8	8	15	-	25	-	60	60	13	15	50
FWA 8 x 65	<b>45788</b>	8	8	20	5	25	40	65	65	13	15	50
FWA 8 x 80	<b>45789</b>	8	8	35	20	25	40	80	80	13	15	50
FWA 8 x 95	<b>45790</b>	8	8	50	35	25	40	95	95	13	15	50
FWA 8 x 120	<b>45791</b>	8	8	75	60	25	40	120	120	13	15	50
FWA 10 x 60	<b>502894</b>	10	10	5	-	30	-	60	60	17	30	50
FWA 10 x 65	<b>45645</b>	10	10	10	-	30	-	65	65	17	30	50
FWA 10 x 80	<b>45792</b>	10	10	25	5	30	50	80	80	17	30	50
FWA 10 x 95	<b>45793</b>	10	10	40	20	30	50	95	95	17	30	50
FWA 10 x 115	<b>45794</b>	10	10	60	40	30	50	115	115	17	30	25
FWA 10 x 130	<b>45646</b>	10	10	75	55	30	50	130	130	17	30	25
FWA 10 x 140	<b>503367</b>	10	10	85	65	30	50	140	140	17	30	25
FWA 10 x 160	<b>503368</b>	10	10	105	85	30	50	160	160	17	30	25
FWA 10 x 180	<b>503369</b>	10	10	115	105	30	50	180	180	17	30	25
FWA 10 x 200	<b>503370</b>	10	10	135	115	30	50	200	200	17	30	25

Type	Art. No.	Thread	Nominal drill-Ø	Max. fixing thickness	Min. fixing thickness	Min. anchor-age depth	Max. anchor-age depth	Min. drill depth at push-through mode	Total length	Width across flat	Installation torque	Qty. per box
		d <sub>1</sub> M [mm]	d <sub>0</sub> [mm]	t <sub>fix</sub> ≤ [mm]	t <sub>fix</sub> ≤ [mm]	h <sub>ef</sub> ≥ [mm]	h <sub>ef</sub> ≥ [mm]	t <sub>d</sub> ≥ [mm]	l [mm]	SW [mm]	T <sub>inst</sub> [Nm]	[pcs.]
FWA 12 x 80	<b>45647</b>	12	12	10	-	40	-	80	80	19	50	25
FWA 12 x 100	<b>45648</b>	12	12	30	10	40	60	100	100	19	50	25
FWA 12 x 120	<b>45795</b>	12	12	50	30	40	60	120	120	19	50	25
FWA 12 x 150	<b>45796</b>	12	12	80	60	40	60	150	150	19	50	25
FWA 12 x 160	<b>503371</b>	12	12	90	70	40	60	160	160	19	50	25
FWA 12 x 180	<b>503372</b>	12	12	110	90	40	60	180	180	19	50	25
FWA 12 x 200	<b>503373</b>	12	12	130	110	40	60	200	200	19	50	25
FWA 12 x 220	<b>503374</b>	12	12	150	130	40	60	220	220	19	50	25
FWA 12 x 240	<b>503377</b>	12	12	170	150	40	60	240	240	19	50	25
FWA 16 x 105	<b>45649</b>	16	16	15	-	50	-	95	105	24	100	20
FWA 16 x 125	<b>502921</b>	16	16	35	5	50	80	115	125	24	100	20
FWA 16 x 140	<b>45798</b>	16	16	50	20	50	80	130	140	24	100	10
FWA 16 x 180	<b>45799</b>	16	16	90	60	50	80	170	180	24	100	10
FWA 16 x 200	<b>503379</b>	16	16	110	80	50	80	190	200	24	100	10
FWA 16 x 240	<b>503380</b>	16	16	150	120	50	80	230	240	24	100	10
FWA 16 x 300	<b>503381</b>	16	16	190	160	50	80	290	300	24	100	10
FWA 20 x 160	<b>45800</b>	20	20	40	20	80	100	150	160	30	200	10
FWA 20 x 200	<b>503382</b>	20	20	80	60	80	100	190	200	30	200	10
FWA 20 x 220	<b>56133</b>	20	20	100	80	80	100	210	220	30	200	10
FWA 20 x 240	<b>503383</b>	20	20	120	100	80	100	230	240	30	200	10
FWA 20 x 300	<b>503387</b>	20	20	160	140	80	100	290	300	30	200	10
FWA 24 x 200	<b>503388</b>	24	24	50	25	100	125	190	200	36	260	10
FWA 24 x 250	<b>503389</b>	24	24	100	75	100	125	240	250	36	260	10
FWA 24 x 300	<b>503390</b>	24	24	150	125	100	125	290	300	36	260	10